

MONO RACK

Description

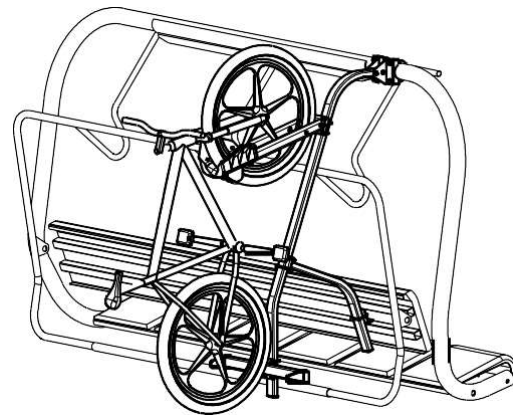
The MONO RACK is designed to safely transport mountain bikes in the back of the seat.

The unloading and boarding facilities are derived from the Back Rack system (see Back Rack).

Its position at the rear of the seat does not detract from the transverse silhouette of the vehicle and prevents the seat from becoming unbalanced.

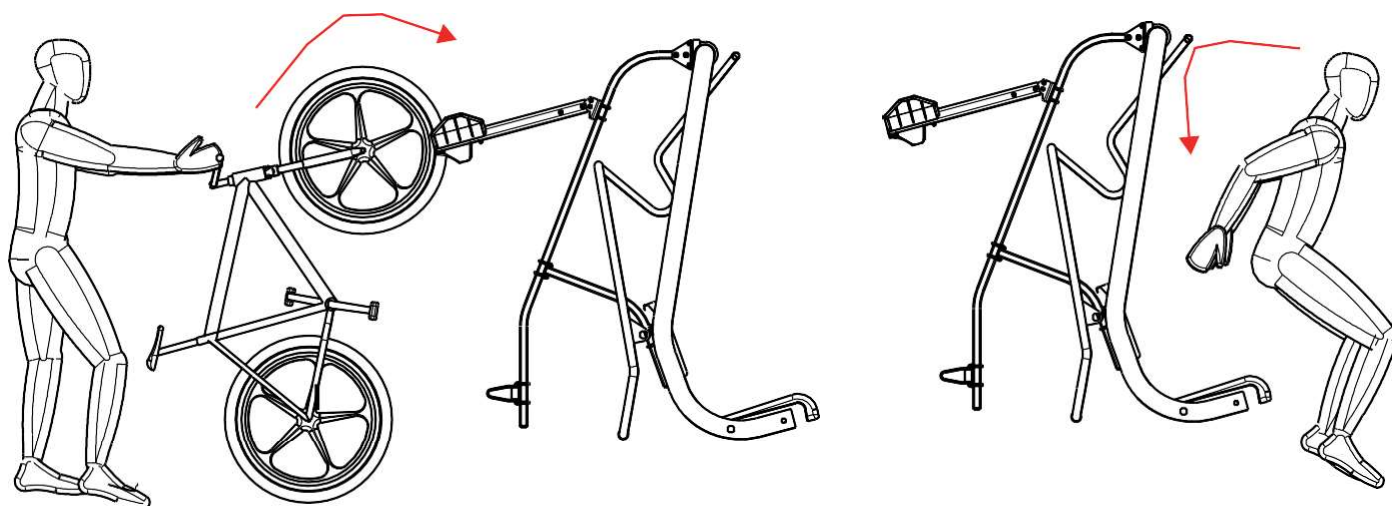
Advantages of the system

- No transverse imbalance of the vehicle
- Integration of the system into the transverse silhouette of the vehicle
- Quick and easy to fit
- Quick 3-point locking
- Easier storage



MONO RACK

Loading



Unloading

