



CAB RACK

Description

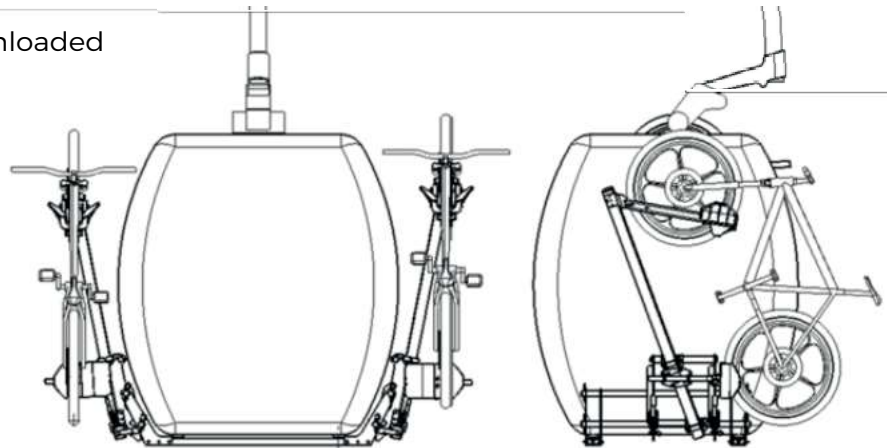
The CAB RACK is designed to safely transport 2 mountain bikes to the cabins. The mountain bikes are placed on the upstream and downstream sides of the cabins.

The support structure consists of a cradle coming from underneath the cab. 2 racks (upstream and downstream) can be quickly removed to hold the mountain bike.

This arrangement avoids transverse unbalancing of the cab.

Equipped cabins can carry 2 mountain bikes and passengers simultaneously.

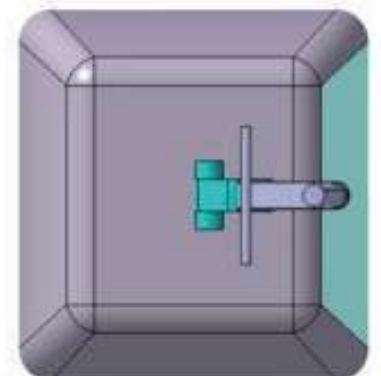
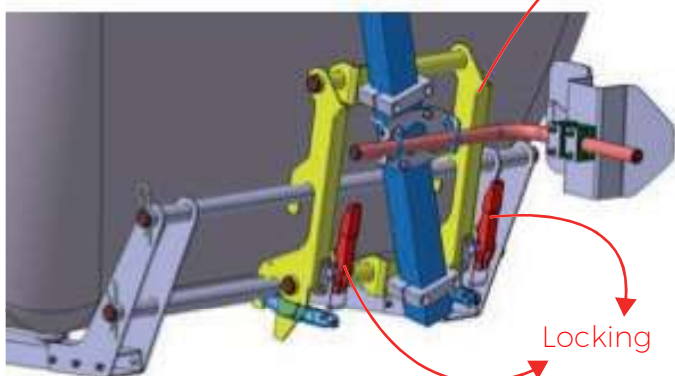
Mountain bikes can be loaded and unloaded without having to be lifted



Quick removal of the rack for cabin storage

Removal of the rack

Top view of the cabin with the 2 racks removed for car storage in the garage



CAB RACK

Cab door support

The cab door support is particularly suitable for installations that do not allow transport on the front sides (interlocking in the contours or not respecting the longitudinal shape).

Very light, it is mounted in place of ski racks and reduces the transverse imbalance of the vehicle. Depending on the design, simultaneous transport with passengers is possible or not.

